



Brad® mPm® Field Attachable DIN Valve Connectors

Conform to EN 175301-803 (ex DIN 43650)

The Brad mPm® range of connectors is used extensively to provide electrical connection in a wide range of applications. The most common application for mPm DIN connectors is in conjunction with pneumatic, hydraulic or electromagnetic devices, including solenoid valves. Other applications include, for example, pressure transducers, proximity switches, level sensors, limit switches and low energy motors.

Molex manufactures an extensive and comprehensive range of connectors with standard options including for example LED illuminated devices as well as VDR, diodes or transil diodes (with or without illuminated device) to offer protection against overvoltage peaks. Brad DIN mPm connectors offer protection from dust and water (IP65 or IP67 on specific request) when correctly installed with screw and gasket which are supplied together with the connector.



IP67 rated DIN valve connectors with improved strain relief. Cable retention force increased by up to 20% over internal nut styles. Enlarged cable range that covers the PG9 and PG11 internal thread connector cable range. Conforms to EN 175301-803.

Specifications

ELECTRICAL

Max. Current: 16.0A
 Contact Resistance:
 ≤ 15 milliohms max.
 Insulation Resistance:
 100 Megohms min.
 Max. Conductor: 1.50mm² / 16AWG

MECHANICAL

Insertion and Withdrawal Force:
 2+GND ≤ 60N

CERTIFICATION

UL recognized *cURus* marked, file E218123 (product available upon request or specific part number)

PHYSICAL

Durability: min. 50 cycles
 Contact Area: Silver
 Solder Tail Area: Silver
 Operating Temperature with:
 Nitrile Rubber (NBR) Gasket:
 -40° to +90°C
 Silicone Gasket: -40° to +125°C
 Cable Diameter Range: 4.00÷9.00mm
 Live Contact Distance:
 18.00mm

ENVIRONMENTAL

IP67 Sealing Protection

Non Electronic

C28 2 00 N 0 R **

SERIE — C28=External Thread Form A
POLES — 2=2Poles+Ground 3=3Poles+Ground
THREAD — 00=External Thread
COVER COLOR — N=Black Cover G=Gray Cover W=V0 Black Cover (only with UL listed connectors)
GROUND POSITION — 0=Unmounted 2=H12 3=H3 6=H6 9=H9
SCREW & GASKET — R=Integrated NBR Gasket & IP67 Screw, S=Integrated Silicone Gasket & IP67 Screw
PACKAGING STYLE — no digit=Single Bag Unmounted, SN=Bulk Pack Mounted, CN=Bulk Pack Unmounted

Electronic

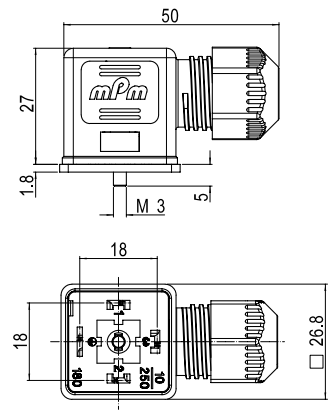
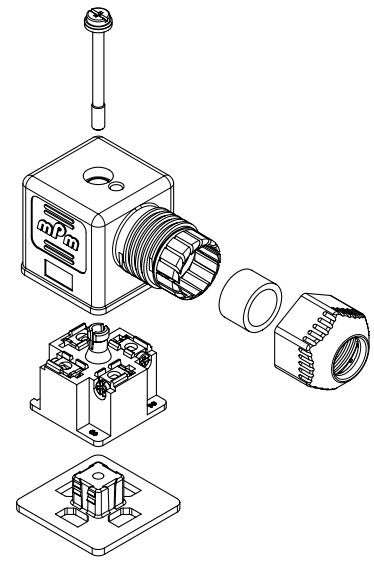
S28 2 00 T C4 2 0 R **

SERIE — S28=External Thread Form A
POLES — 2=2Poles+Ground
THREAD — 00=External Thread
COVER COLOR — N=Black Cover G=Gray Cover T=Transparent
CIRCUIT — see page 29
VOLTAGE & LED COLOR — see page 29
GROUND POSITION — 0=Unmounted 2=H12 3=H3 6=H6 9=H9
SCREW & GASKET — R=Integrated NBR Gasket & IP67 Screw, S=Integrated Silicone Gasket & IP67 Screw
PACKAGING STYLE — no digit=Single Bag Unmounted, SN=Bulk Pack Mounted, CN=Bulk Pack Unmounted



**Brad® mPm®
 Field Attachable
 DIN Valve
 Connectors**

121201 Form A, Ext. Thread,
 Non-Electronic
121207 Form A, Ext. Thread,
 Electronic



Note: UL listed part number identified by adding suffix SA at the end of the nomenclature in conjunction with UL material (W for black and T for transparent) e.g. C28200W2R5NSA

Build your connector using the intelligent part number system and contact your local sales representative to identify the proper EDP number to use in your purchase orders

Packaging Type		Poles	Circuit	Voltage	LED Color	Engineering No.	Standard Order No.
Single Bag	Unmounted	2+Ground	NO	250V AC/300V DC	NO	C28200N0R	121201-0001
Bulk Pack	Mounted		NO	250V AC/300V DC	NO	C28200N2RSN	121201-0034
Single Bag	Unmounted	3+Ground	NO	250V AC/300V DC	NO	C28300N0R	121201-0002
Bulk Pack	Mounted		NO	250V AC/300V DC	NO	C28300N2RSN	121201-0038
Single Bag	Unmounted	2+Ground	C4	24V AC/DC	yellow	S28200TC4H0R	121207-0005
Bulk Pack	mounted		C4	24V AC/DC	yellow	S28200TC4H2RSN	121207-0368
Single Bag	Unmounted		C4	230V AC/DC	yellow	S28200TC4M0R	121207-0106
Bulk Pack	mounted		C4	230V AC/DC	yellow	S28200TC4M2RSN	121207-0371

IP67 rated DIN valve connector with improved strain relief. Cable retention force increased up to 20% over internal nut style. Enlarged cable range that covers the PG9 and PG11 internal thread connectors cable range.

Specifications

ELECTRICAL

Max. Current 16.0A
 Contact Resistance: ≤15milliohms max.
 Insulation Resistance:
 100Megohms min.
 Max. Conductor: 1.50mm² / 16AWG

MECHANICAL

Insertion and Withdrawal Force:
 2+GND ≤ 60N

CERTIFICATION

UL recognized, cURus marked, file E218123 (product available upon request or specific part number)

PHYSICAL

Durability: min. 50 cycles
 Contact Area: Silver
 Solder Tail Area: Silver
 Operating Temperature with:
 Nitrile Rubber (NBR) Gasket: -40° +90°C
 Silicone Gasket: -40° +125°C
 Cable Diameter Range: 4.00÷9.00mm
 Live Contact Distance: 11mm

ENVIRONMENTAL

IP67 Sealing Protection

Non Electronic

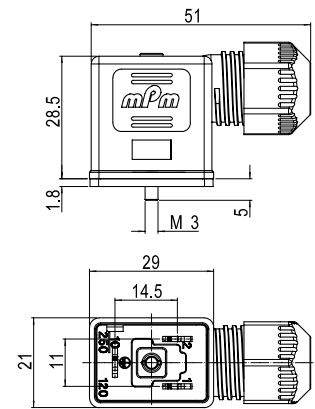
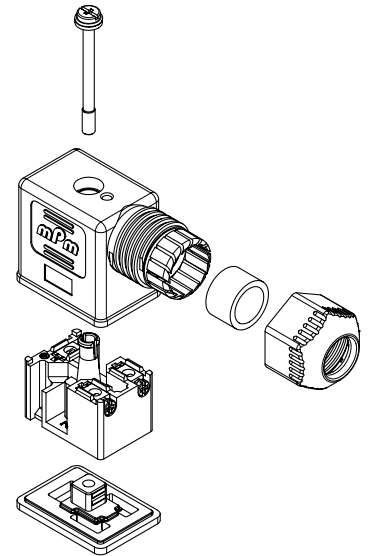
C22 2 00 N 0 R **

SERIE — C22=External Thread Form Industrial
POLES — 2=2Poles+Ground
THREAD — 00=External Thread
COVER COLOR — N=Black Cover G=Gray Cover W=V0 Black Cover (only with UL listed connectors)
GROUND POSITION — 0=Unmounted 2=H12 6=H6
SCREW & GASKET — R=Integrated NBR Gasket & IP67 Screw, S=Integrated Silicone Gasket & IP67 Screw
PACKAGING STYLE — no digit=Single Bag Unmounted, SN=Bulk Pack Mounted, CN=Bulk Pack Unmounted

Electronic

S22 2 00 T C4 2 0 R **

SERIE — S22=External Thread Form Industrial
POLES — 2=2Poles+Ground
THREAD — 00=External Thread
COVER COLOR — N=Black Cover G=Gray Cover T=Transparent
CIRCUIT — see page 29
VOLTAGE & LED COLOR — see page 29
GROUND POSITION — 0=Unmounted 2=H12 6=H6
SCREW & GASKET — R=Integrated NBR Gasket & IP67 Screw, S=Integrated Silicone Gasket & IP67 Screw
PACKAGING STYLE — no digit=Single Bag Unmounted, SN=Bulk Pack Mounted, CN=Bulk Pack Unmounted



Note: UL listed part number identified by adding suffix SA at the end of the nomenclature in conjunction with UL material (W for black and T for transparent) e.g. C28200W2RSN5A

Build your connector using the intelligent part number system and contact your local sales representative to identify the proper EDP number to use in your purchase orders

Packaging Type		Poles	Circuit	Voltage	LED Color	Engineering No.	Standard Order No.
Single Bag	Unmounted	2+Ground	NO	250V AC/300V DC	NO	C22200N0R	1212020001
Bulk Pack	Mounted		NO	250V AC/300V DC	NO	C22200N2RSN	1212020012
Single Bag	Unmounted		C4	24V AC/DC	yellow	S22200TC4H0R	1212080080
Bulk Pack	Mounted		C4	24V AC/DC	yellow	S22200TC4H2RSN	1212080240
Single Bag	Unmounted		C4	230V AC/DC	yellow	S22200TC4M0R	1212080083
Bulk Pack	Mounted		C4	230V AC/DC	yellow	S22200TC4M2RSN	1212080243

IP67 rated DIN valve connector with improved strain relief. Cable retention force increased up to 20% over internal nut style. Enlarged cable range that covers the PG9 and PG11 internal thread connectors cable range. Conforms to EN 175301-803

Specifications

ELECTRICAL

Current: max. 16.0A
 Contact Resistance: ≤15milliohms max.
 Insulation Resistance:
 100Megohms min.
 Max. Conductor: 1.50mm² / 16AWG

MECHANICAL

Insertion and Withdrawal Force:
 2+GND ≤ 60N

CERTIFICATION

UL recognized, *cURus* marked, file E218123 (product available upon request or specific part number)

PHYSICAL

Durability: min. 50 cycles
 Contact Area: Silver
 Solder Tail Area: Silver
 Operating Temperature with:
 Nitrile Rubber (NBR) Gasket:
 -40° +90°C
 Silicone Gasket: -40° +125°C
 Cable Diameter Range: 4.00÷9.00mm
 Live Contact Distance: 10.00mm

ENVIRONMENTAL

IP67 Sealing Protection

Non Electronic

C92 2 00 N 0 T **

SERIE — C92=External Thread Form B
POLES — 2=2Poles+Ground
THREAD — 00=External Thread
COVER COLOR — N=Black Cover G=Gray Cover W=V0 Black Cover (only with UL listed connectors)
GROUND POSITION — 0=Unmounted 2=H12 6=H6
SCREW & GASKET — T=Profile NBR Gasket & IP67 Screw, U=Profile Silicone Gasket & IP67 Screw
PACKAGING STYLE — no digit=Single Bag Unmounted, SN=Bulk Pack Mounted, CN=Bulk Pack Unmounted

Electronic

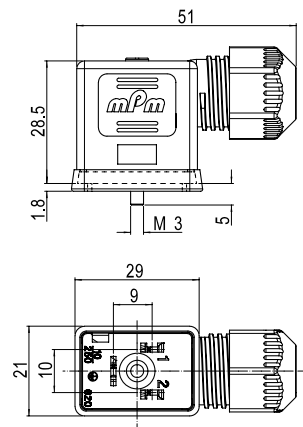
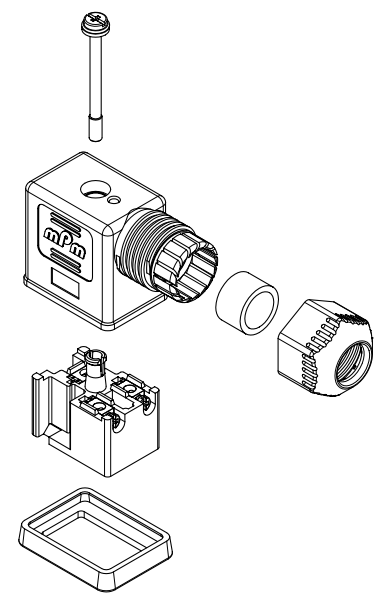
S92 2 00 T C4 2 0 T **

SERIE — S92=External Thread Form B
POLES — 2=2Poles+Ground
THREAD — 00=External Thread
COVER COLOR — N=Black Cover G=Gray Cover T=Transparent
CIRCUIT — see page 29
VOLTAGE & LED COLOR — see page 29
GROUND POSITION — 0=Unmounted 2=H12 6=H6
SCREW & GASKET — T=Profile NBR Gasket & IP67 Screw, U=Profile Silicone Gasket & IP67 Screw
PACKAGING STYLE — no digit=Single Bag Unmounted, SN=Bulk Pack Mounted, CN=Bulk Pack Unmounted



Brad® mPm® Field Attachable DIN Valve Connectors

121203 Form B, Ext. Thread, Non-Electronic
121209 Form B, Ext. Thread, Electronic



Note: UL listed part number identified by adding suffix SA at the end of the nomenclature in conjunction with UL material (W for black and T for transparent) e.g. C28200W2RSNSA

Build your connector using the intelligent part number system and contact your local sales representative to identify the proper EDP number to use in your purchase orders

Packaging Type		Poles	Circuit	Voltage	LED Color	Engineering No.	Standard Order No.
Single Bag	Unmounted	2+Ground	NO	250V AC/300V DC	NO	C92200N0T	121203-0001
Bulk Pack	Mounted		NO	250V AC/300V DC	NO	C92200N2TSN	121203-0009
Single Bag	Unmounted		C4	24V AC/DC	yellow	S92200TC4H0T	121209-0047
Bulk Pack	Mounted		C4	24V AC/DC	yellow	S92200TC4H2TSN	121209-0207
Single Bag	Unmounted		C4	230V AC/DC	yellow	S92200TC4M0T	121209-0050
Bulk Pack	Mounted		C4	230V AC/DC	yellow	S92200TC4M2TSN	121209-0210

IP67 rated DIN valve connector with improved strain relief. Cable retention force increased up to 20% over internal nut style. Enlarged cable range that covers the internal thread connectors cable range. Conforms to EN 175301-803

Specifications

ELECTRICAL

Current: max. 10.0A
 Contact Resistance: ≤15milliohms max.
 Insulation Resistance:
 100Megohms min.
 Max. Conductor: 0.75mm² / 18AWG

MECHANICAL

Insertion and Withdrawal Force:
 2+GND ≤ 60N

CERTIFICATION

UL recognized, cURus marked, file E218123 (product available upon request or specific part number)

PHYSICAL

Durability: min. 50 cycles
 Contact Area: Silver
 Solder Tail Area: Silver
 Operating Temperature with:
 Nitrile Rubber (NBR) Gasket: -40° +90°C
 Silicone Gasket: -40° +125°C
 Cable Diameter Range: 3.00+5.50mm
 Live Contact Distance: 8.00mm

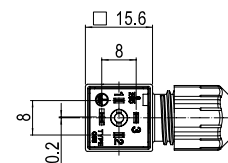
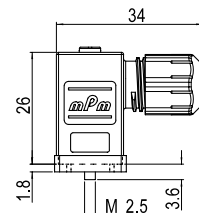
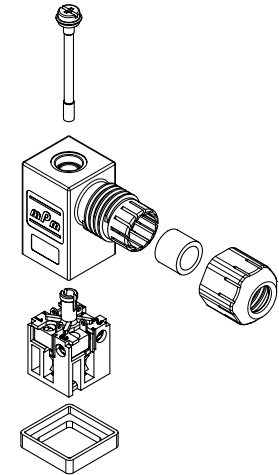
ENVIRONMENTAL

IP67 Sealing Protection

Brad® mPm® Field Attachable DIN Valve Connectors

121204 Form C, Ext. Thread,
Non-Electronic

121210 Form C, Ext. Thread,
Electronic



Non Electronic

C25 2 00 N 0 T **

SERIE — C25=External Thread Form C
POLES — 2=2Poles+Ground 3=3Poles+Ground
THREAD — 00=External Thread
COVER COLOR — N=Black Cover G=Gray Cover W=V0 Black Cover (only with UL listed connectors)
GROUND POSITION — 0=Unmounted 2=H12 3=H3 6=H6 9=H9
SCREW & GASKET — T=Profile NBR Gasket & IP67 Screw, U=Profile Silicone Gasket & IP67 Screw
PACKAGING STYLE — no digit=Single Bag Unmounted, SN=Bulk Pack Mounted, CN=Bulk Pack Unmounted

Electronic

S25 2 00 T C4 2 0 T **

SERIE — S25=External Thread Form C
POLES — 2=2Poles+Ground
THREAD — 00=External Thread
COVER COLOR — N=Black Cover G=Gray Cover T=Transparent
CIRCUIT — see page 29
VOLTAGE & LED COLOR — see page 29
GROUND POSITION — 0=Unmounted 2=H12 3=H3 6=H6 9=H9
SCREW & GASKET — T=Profile NBR Gasket & IP67 Screw, U=Profile Silicone Gasket & IP67 Screw
PACKAGING STYLE — no digit=Single Bag Unmounted, SN=Bulk Pack Mounted, CN=Bulk Pack Unmounted

Note: UL listed part number identified by adding suffix SA at the end of the nomenclature in conjunction with UL material (W for black and T for transparent) e.g. C28200W2RSNSA

Build your connector using the intelligent part number system and contact your local sales representative to identify the proper EDP number to use in your purchase orders

Packaging Type		Poles	Circuit	Voltage	LED Color	Engineering No.	Standard Order No.
Single Bag	Unmounted	2+Ground	NO	250V AC/300V DC	NO	C25200N0T	121204-0001
Bulk Pack	Mounted		NO	250V AC/300V DC	NO	C25200N2TSN	121204-0010
Single Bag	Unmounted		C4	24V AC/DC	yellow	S25200TC4H0T	121210-0042
Bulk Pack	Mounted		C4	24V AC/DC	yellow	S25200TC4H2TSN	121210-0342
Single Bag	Unmounted		C4	230V AC/DC	yellow	S25200TC4M0T	121210-0045
Bulk Pack	Mounted		C4	230V AC/DC	yellow	S25200TC4M2TSN	121210-0345

IP67 rated DIN valve connector with improved strain relief. Cable retention force increased up to 20% over internal nut style. Enlarged cable range that covers internal thread connectors cable range.

Specifications

ELECTRICAL

Max. Current 10.0A
 Contact Resistance: ≤15milliohms max.
 Insulation Resistance:
 100Megohms min.
 Max Conductor: 0.75mm² / 18AWG

MECHANICAL

Insertion and Withdrawal Force:
 2+GND ≤ 60N

CERTIFICATION

UL recognized, *cURus* marked, file E218123 (product available upon request or specific part number)

PHYSICAL

Durability: min. 50 cycles
 Contact Area: Silver
 Solder Tail Area: Silver
 Operating Temperature with:
 Nitrile Rubber (NBR) Gasket:
 -40° +90°C
 Silicone Gasket -40° to +125°C
 Cable Diameter Range: 3.00÷5.50mm
 Live Contact Distance: 9.40mm

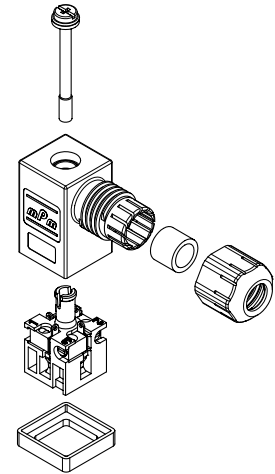
ENVIRONMENTAL

IP67 Sealing Protection

Brad® mPm® Field Attachable DIN Valve Connectors

121205 Form Micro, Ext. Thread
Non-Electronic

121211 Form Micro, Ext. Thread
Electronic

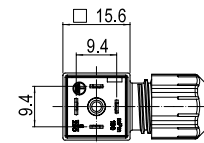
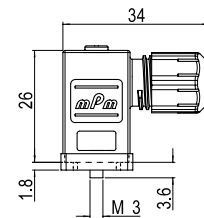


Non Electronic C29 2 00 N 0 T **

SERIE ——— C29=External Thread Form Micro
POLES ——— 2=2Poles+Ground 3=3Poles+Ground
THREAD ——— 00=External Thread
COVER COLOR ——— N=Black Cover G=Gray Cover W=V0 Black Cover (only with UL listed connectors)
GROUND POSITION ——— 0=Unmounted 2=H12 3=H3 6=H6 9=H9
SCREW & GASKET ——— T=Profile NBR Gasket & IP67 Screw, U=Profile Silicone Gasket & IP67 Screw
PACKAGING STYLE ——— no digit=Single Bag Unmounted, SN=Bulk Pack Mounted, CN=Bulk Pack Unmounted

Electronic S29 2 00 T C4 2 0 T **

SERIE ——— S29=External Thread Form Micro
POLES ——— 2=2Poles+Ground
THREAD ——— 00=External Thread
COVER COLOR ——— N=Black Cover G=Gray Cover T=Transparent
CIRCUIT ——— see page 29
VOLTAGE & LED COLOR ——— see page 29
GROUND POSITION ——— 0=Unmounted 2=H12 3=H3 6=H6 9=H9
SCREW & GASKET ——— T=Profile NBR Gasket & IP67 Screw, U=Profile Silicone Gasket & IP67 Screw
PACKAGING STYLE ——— no digit=Single Bag Unmounted, SN=Bulk Pack Mounted, CN=Bulk Pack Unmounted



Note: UL listed part number identified by adding suffix SA at the end of the nomenclature in conjunction with UL material (W for black and T for transparent) e.g. C28200W2R5NSA

Build your connector using the intelligent part number system and contact your local sales representative to identify the proper EDP number to use in your purchase orders

Packaging Type		Poles	Circuit	Voltage	LED Color	Engineering No.	Standard Order No.
Single Bag	Unmounted	2+Ground	NO	250V AC/300V DC	NO	C29200N0T	121205-0001
Bulk Pack	Mounted		NO	250V AC/300V DC	NO	C29200N2TSN	121205-0012
Single Bag	Unmounted		C4	24V AC/DC	yellow	S29200TC4H0T	121211-0042
Bulk Pack	Mounted		C4	24V AC/DC	yellow	S29200TC4H2TSN	121211-0342
Single Bag	Unmounted		C4	230V AC/DC	yellow	S29200TC4M0T	121211-0045
Bulk Pack	Mounted		C4	230V AC/DC	yellow	S29200TC4M2TSN	121211-0345

**Standard internal thread DIN valve connector, IP65 rated.
Available with different thread style, gaskets and circuitry.
Conforms to EN 175301-803**

Specifications

ELECTRICAL

Max. Current: 16.0A
Contact Resistance: ≤15milliohms max.
Insulation Resistance:
100Megohms min.
Max. Conductor: 1.50mm² / 16AWG

MECHANICAL

Insertion and Withdrawal Force:
2+GND ≤ 60N

CERTIFICATION

UL recognized, *cURus* marked, file E218123 (product available upon request or specific part number)

PHYSICAL

Durability: min. 50 cycles
Contact Area: Silver
Solder Tail Area: Silver
Operating Temperature with:
Nitrile Rubber (NBR) Gasket:
-40° +90°C
Silicone -40° +125°C
Cable Diameter Range:
PG9-M16 6.00÷8.00mm
PG11-G1/2"-M20 8.00÷10.00mm
Live Contact Distance: 18mm

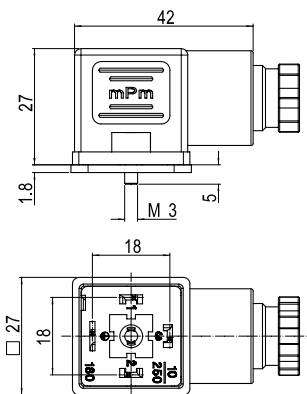
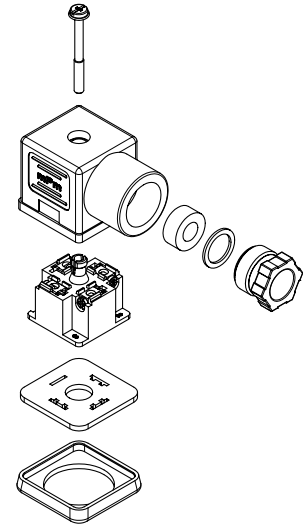
ENVIRONMENTAL

IP65 sealing protection
(IP67 available on request)

Brad® mPm® Field Attachable DIN Valve Connectors

121023 Form A, Intern. Thread,
Non-Electronic

121064 Form A, Intern. Thread,
Electronic



Non Electronic C18 2 09 N 2 1

SERIE → C18=Internal Thread Form A
POLES → 2=2Poles+Ground 3=3Poles+Ground
THREAD → 09=PG9 11=PG11 M6=M16x1,5 M0=M20x1,5
12=1/2" GAS 13=1/2 NPTF
COVER COLOR → N=Black Cover G=Gray Cover
W=V0 Black Cover (only with UL listed connectors)
GROUND POSITION → 2=H12 3=H3 6=H6 9=H9
SCREW & GASKET → 1=Profile NBR Gasket & Screw, 2=Flat NBR Gasket & Screw
3=White Silicone Profile Gasket & Screw, 4=White Silicone Flat Gasket & Screw

Electronic S18 2 09 T C4 2 1

SERIE → S18=Internal Thread Form A
POLES → 2=2Poles+Ground
THREAD → 09=PG9 11=PG11 M6=M16x1,5 M0=M20x1,5
12=1/2" GAS 13=1/2 NPTF
COVER COLOR → N=Black Cover G=Gray Cover T=Transparent
CIRCUIT → see page 29
VOLTAGE & LED COLOR → see page 29
SCREW & GASKET → 1=Profile NBR Gasket & Screw, 2=Flat NBR Gasket & Screw
3=White Silicone Profile Gasket & Screw, 4=White Silicone Flat Gasket & Screw

Note: UL listed part number identified by adding suffix SA at the end of the nomenclature in conjunction with UL material (W for black and T for transparent) e.g. C28200W2RSNSA

Build your connector using the intelligent part number system and contact your local sales representative to identify the proper EDP number to use in your purchase orders

Packaging Type	Poles	Circuit	Voltage	LED Color	Engineering No.	Standard Order No.	
Bulk Pack	2+Ground	NO	250V AC/300V DC	NO	C18209N21	121023-0238	
		NO	250V AC/300V DC	NO	C18211N21	121023-0278	
		NO	250V AC/300V DC	NO	C18309N21	121023-0341	
		NO	250V AC/300V DC	NO	C18311N21	121023-0377	
	3+Ground	2+Ground	C4	24V AC/DC	yellow	S18209TC4H1	121064-0600
			C4	230V AC/DC	yellow	S18209TC4M1	121064-0603
			C4	24V AC/DC	yellow	S18211TC4H1	121064-0685
			C4	230V AC/DC	yellow	S18211TC4M1	121064-0687

**Standard internal thread DIN valve connector, IP65 rated.
Available with different thread style and gaskets.
Conforms to EN 175301-803**

Specifications

ELECTRICAL

Max. Current: 16.0A
Contact Resistance: ≤15milliohms max.
Insulation Resistance:
100Megohms min.
Max. Conductor: 1.50mm² / 16AWG

MECHANICAL

Insertion and Withdrawal Force:
2+GND ≤ 60N

CERTIFICATION

UL recognized, *cURus* marked, file E218123 (product available upon request or specific part number)

PHYSICAL

Durability: min. 50 cycles
Contact Area: Silver
Solder Tail Area: Silver
Operating Temperature with:
Nitrile Rubber (NBR) Gasket: -40° +90°C
Silicone Gasket: -40° +125°C
Cable Diameter Range:
PG9-M16 6.00±8.00mm
PG11-G1/2"-M20 8.00±10.00mm
Live Contact Distance: 18.00mm

ENVIRONMENTAL

IP65 sealing protection
(IP67 available on request)

Non Electronic

C81 2 09 N 2 1

SERIE ——— C81
C81=Internal Thread Form A High Space

POLES ——— 2 09 N
2=2Poles+Ground 3=3Poles+Ground

THREAD ——— 09
09=PG9 11=PG11 M6=M16x1,5 M0=M20x1,5
12=1/2" GAS

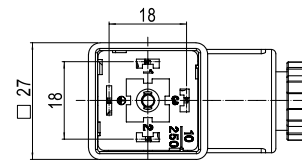
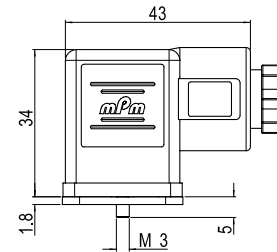
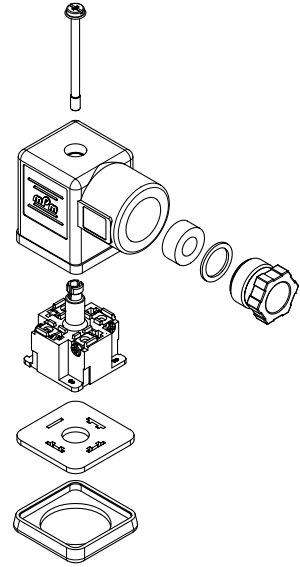
COVER COLOR ——— N 2
N=Black Cover G=Gray Cover
W=V0 Black Cover (only with UL listed connectors)

GROUND POSITION ——— 2 1
2=H12 3=H3 6=H6 9=H9

SCREW & GASKET ——— 2 1
1=Profile NBR Gasket & Screw, 2=Flat NBR Gasket & Screw
3=White Silicone Profile Gasket & Screw, 4=White Silicone Flat Gasket & Screw

Brad® mPm® Field Attachable DIN Valve Connectors

121023 Form A, Intern. Thread,
High Space Non-Electronic



Note: UL listed part number identified by adding suffix SA at the end of the nomenclature in conjunction with UL material (W for black and T for transparent) e.g. C28200W2RSNSA

Build your connector using the intelligent part number system and contact your local sales representative to identify the proper EDP number to use in your purchase orders

Packaging Type		Poles	Circuit	Voltage	LED Color	Engineering No.	Standard Order No.
Bulk Pack	Mounted	2+Ground	NO	250V AC/300V DC	NO	C81209N21	121023-0612
			NO	250V AC/300V DC	NO	C81211N21	121023-0620
		3+Ground	NO	250V AC/300V DC	NO	C81309N21	121023-0629
			NO	250V AC/300V DC	NO	C81311N21	121023-0633

Standard internal thread DIN valve connector, IP65 rated.
Available with different thread style, gaskets and circuitry.

Specifications

ELECTRICAL

Max. Current: 16.0A
Contact Resistance: ≤15milliohms max.
Insulation Resistance:
100Megohms min.
Max. Conductor: 1.50mm² / 16AWG

MECHANICAL

Insertion and Withdrawal Force:
2+GND ≤ 60N

CERTIFICATION

UL recognized, cURus marked, file E218123 (product available upon request or specific part number)

PHYSICAL

Durability: min. 50 cycles
Contact Area: Silver
Solder Tail Area: Silver
Operating Temperature with:
Nitrile Rubber (NBR) Gasket: -40° +90°C
Silicone Gasket: -40° +125°C
Cable Diameter Range:
PG7-M12 4.00÷6.00mm
PG9-M16 6.00÷8.00mm
M20 8.00÷10.00mm
Live Contact Distance: 11.00mm

ENVIRONMENTAL

IP65 sealing protection
(IP67 available on request)

Non Electronic

C12 2 07 N 2 1

SERIE C12=Internal Thread Form Industrial
POLES 2=2Poles+Ground
THREAD 07=PG7 09=PG9 M2=M12x1,5 M6=M16x1,5
M0=M20x1,5 13=1/2" NPTF
COVER COLOR N=Black Cover G=Gray Cover
W=V0 Black Cover (only with UL listed connectors)
GROUND POSITION 2=H12 6=H6
SCREW & GASKET 1=Profile NBR Gasket & Screw, 2=Flat NBR Gasket & Screw
3=White Silicone Profile Gasket & Screw, 4=White Silicone Flat Gasket & Screw

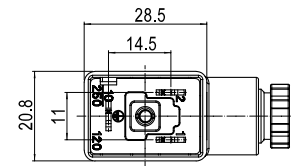
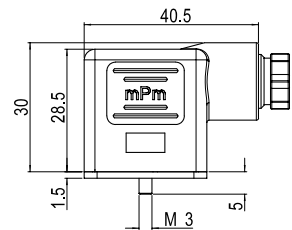
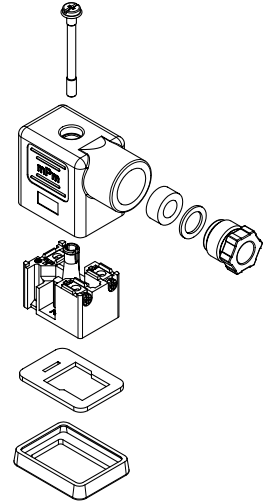
Electronic

S02 2 07 T C4 2 1

SERIE S02=Internal Thread Form Industrial
POLES 2=2Poles+Ground
THREAD 07=PG7 09=PG9 M2=M12x1,5 M6=M16x1,5
M0=M20x1,5 13=1/2" NPTF
COVER COLOR N=Black Cover G=Gray Cover T=Transparent
CIRCUIT see page 29
VOLTAGE & LED COLOR see page 29
SCREW & GASKET 1=Profile NBR Gasket & Screw, 2=Flat NBR Gasket & Screw
3=White Silicone Profile Gasket & Screw, 4=White Silicone Flat Gasket & Screw

Brad® mPm® Field Attachable DIN Valve Connectors

121023 Form Industrial,
Intern. Thread, Non-Electronic
121064 Form Industrial,
Intern. Thread, Electronic



Note: UL listed part number identified by adding suffix SA at the end of the nomenclature in conjunction with UL material (W for black and T for transparent) e.g. C28200W2RSNSA

Build your connector using the intelligent part number system and contact your local sales representative to identify the proper EDP number to use in your purchase orders

Packaging Type		Poles	Circuit	Voltage	LED Color	Engineering No.	Standard Order No.
Bulk Pack	Mounted	2+Ground	NO	250V AC/300V DC	NO	C12207N21	121023-0105
			NO	250V AC/300V DC	NO	C12209N21	121023-0122
			C4	24V AC/DC	yellow	S02209TC4H1	121064-0120
			C4	230V AC/DC	yellow	S02209TC4M1	121064-0124

**Standard internal thread DIN valve connector, IP65 rated.
Available with different thread style, gaskets and circuitry.
Conforms to EN 175301-803.**

Specifications

ELECTRICAL

Max. Current: 16.0A
Contact Resistance: ≤15milliohms max.
Insulation Resistance:
100Megohms min.
Max. Conductor: 1.50mm² / 16AWG

MECHANICAL

Insertion and Withdrawal Force:
2+GND ≤ 60N

CERTIFICATION

UL recognized, *cURus* marked, file E218123 (product available upon request or specific part number)

PHYSICAL

Durability: min. 50 cycles
Contact Area: Silver
Solder Tail Area: Silver
Operating Temperature with:
Nitrile Rubber (NBR) Gasket:
-40° +90°C
Silicone Gasket: -40° +125°C
Cable Diameter Range:
PG7-M12 4.00÷6.00mm
PG9-M16 6.00÷8.00mm
Live Contact Distance: 10.00mm

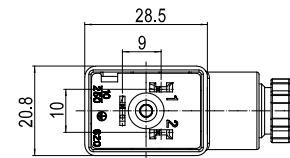
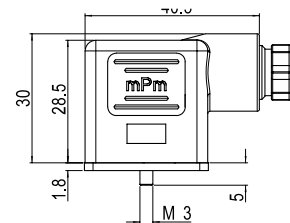
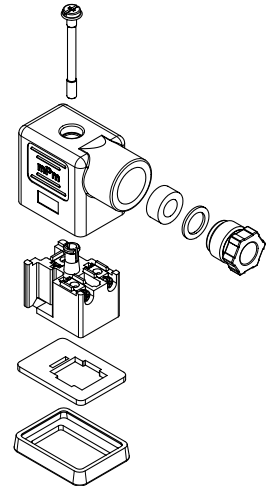
ENVIRONMENTAL

IP65 sealing protection
(IP67 available on request)

Brad® mPm® Field Attachable DIN Valve Connectors

121023 Form B, Intern. Thread,
Non-Electronic

121064 Form B, Intern. Thread,
Electronic



Non Electronic

C62 2 07 N 2 1

SERIE ——— C62=Internal Thread Form B
POLES ——— 2=2Poles+Ground
THREAD ——— 07=PG7 09=PG9 M2=M12x1,5 M6=M16x1,5
COVER COLOR ——— N=Black Cover G=Gray Cover W=V0 Black Cover (only with UL listed connectors)
GROUND POSITION ——— 2=H12 6=H6
SCREW & GASKET ——— 1=Profile NBR Gasket & Screw, 2=Flat NBR Gasket & Screw 3=White Silicone Profile Gasket & Screw, 4=White Silicone Flat Gasket & Screw

Electronic

S62 2 07 T C4 2 1

SERIE ——— S62=Internal Thread Form B
POLES ——— 2=2Poles+Ground
THREAD ——— 07=PG7 09=PG9 M2=M12x1,5 M6=M16x1,5
COVER COLOR ——— N=Black Cover G=Gray Cover T=Transparent
CIRCUIT ——— see page 29
VOLTAGE & LED COLOR ——— see page 29
SCREW & GASKET ——— 1=Profile NBR Gasket & Screw, 2=Flat NBR Gasket & Screw 3=White Silicone Profile Gasket & Screw, 4=White Silicone Flat Gasket & Screw

Note: UL listed part number identified by adding suffix SA at the end of the nomenclature in conjunction with UL material (W for black and T for transparent) e.g. C28200W2RSNSA

Build your connector using the intelligent part number system and contact your local sales representative to identify the proper EDP number to use in your purchase orders

Packaging Type		Poles	Circuit	Voltage	LED Color	Engineering No.	Standard Order No.
Bulk Pack	Mounted	2+Ground	NO	250V AC/300V DC	NO	C62207N21	121023-0569
			NO	250V AC/300V DC	NO	C62209N21	121023-0571
			C4	24V AC/DC	yellow	S62209TC4H1	121064-1239
			C4	230V AC/DC	yellow	S62209TC4M1	121064-1241

Standard internal thread DIN valve connector, IP65 rated. Available with different thread style, gaskets and circuitry. Conforms to EN 175301-803.

Specifications

ELECTRICAL

Max. Current: 10.0A
 Contact Resistance: ≤15milliohms max.
 Insulation Resistance:
 100Megohms min.
 Max. Conductor: 0.75mm² / 18AWG

MECHANICAL

Insertion and Withdrawal Force:
 2+GND ≤ 60N

CERTIFICATION

UL recognized, *cURus* marked, file E218123 (product available upon request or specific part number)

PHYSICAL

Durability: min. 50 cycles
 Contact Area: Silver
 Solder Tail Area: Silver
 Operating Temperature with:
 Nitrile Rubber (NBR) Gasket:
 -40° +90°C
 Silicone Gasket: -40° +125°C
 Cable Diameter Range:
 PG7-M12 4.00÷6.00mm
 Live Contact Distance: 8.00mm

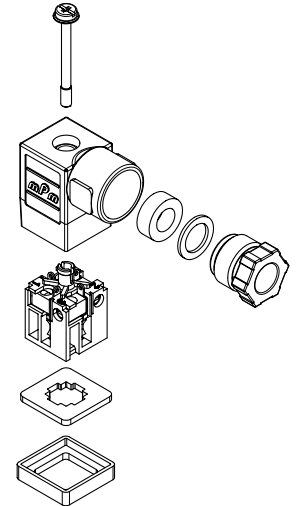
ENVIRONMENTAL

IP65 sealing protection
 (IP67 available on request)

Brad® mPm® Field Attachable DIN Valve Connectors

121023 Form C, Intern. Thread, Non-Electronic

121064 Form C, Intern. Thread, Electronic

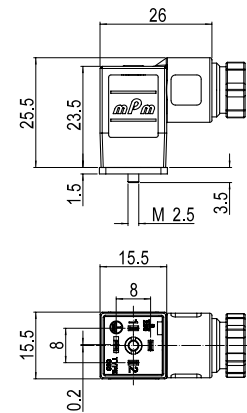


Non Electronic C05 2 07 N 2 1

SERIE | C05=Internal Thread Form C
POLES | 2=2Poles+Ground 3=3Poles+Ground
THREAD | 07=PG7 M2=M12x1,5
COVER COLOR | N=Black Cover G=Gray Cover W=V0 Black Cover (only with UL listed connectors)
GROUND POSITION | 2=H12 3=H3 6=H6 9=H9
SCREW & GASKET | 1=Profile NBR Gasket & Screw, 2=Flat NBR Gasket & Screw 3=White Silicone Profile Gasket & Screw, 4=White Silicone Flat Gasket & Screw

Electronic S05 2 07 T C4 2 1

SERIE | S05=Internal Thread Form C
POLES | 2=2Poles+Ground
THREAD | 07=PG7 M2=M12x1,5
COVER COLOR | N=Black Cover G=Gray Cover T=Transparent
CIRCUIT | see page 29
VOLTAGE & LED COLOR | see page 29
SCREW & GASKET | 1=Profile NBR Gasket & Screw, 2=Flat NBR Gasket & Screw 3=White Silicone Profile Gasket & Screw, 4=White Silicone Flat Gasket & Screw



Note: UL listed part number identified by adding suffix SA at the end of the nomenclature in conjunction with UL material (W for black and T for transparent) e.g. C28200W2RSNSA

Build your connector using the intelligent part number system and contact your local sales representative to identify the proper EDP number to use in your purchase orders

Packaging Type	Poles	Circuit	Voltage	LED Color	Engineering No.	Standard Order No.
Bulk Pack	Mounted	2+Ground	NO	250V AC/300V DC	NO	C05207N21 121023-0083
		3+Ground	NO	250V AC/300V DC	NO	C05307N21 121023-0684
	2+Ground	C4	24V AC/DC	yellow	S05207TC4H1 121064-1253	
		C4	230V AC/DC	yellow	S05207TC4M1 121064-1446	

**Standard internal thread DIN valve connector, IP65 rated.
Available with different thread style, gaskets and circuitry.**

Specifications

ELECTRICAL

Max. Current: 10.0A
Contact Resistance: ≤15milliohms max.
Insulation Resistance:
100Megohms min.
Max. Conductor: 0.75mm² / 18AWG

MECHANICAL

Insertion and Withdrawal Force:
2+GND ≤ 60N

CERTIFICATION

UL recognized, *cURus* marked, file E218123 (product available upon request or specific part number)

PHYSICAL

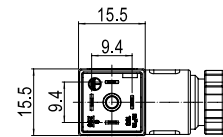
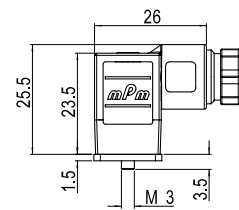
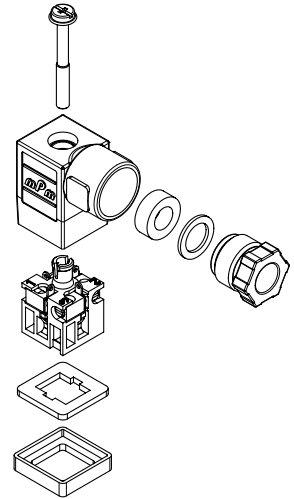
Durability: min. 50 cycles
Contact Area: Silver
Solder Tail Area: Silver
Operating Temperature with:
Nitrile Rubber (NBR) Gasket: -40° +90°C
Silicone Gasket: -40° +125°C
Cable Diameter Range:
PG7-M12 4.00÷6.00mm
Live Contact Distance: 9.40mm

ENVIRONMENTAL

IP65 sealing protection
(IP67 available on request)

Brad® mPm® Field Attachable DIN Valve Connectors

121023 Micro Form,
Intern. Thread, Non-Electronic
121064 Micro Form,
Intern. Thread, Electronic



Non Electronic

C19 2 07 N 2 1

SERIE ————
C19=Internal Thread Form Micro
POLES ————
2=2Poles+Ground **3**=3Poles+Ground
THREAD ————
07=PG7 **M2**=M12x1,5
COVER COLOR ————
N=Black Cover **G**=Gray Cover
W=V0 Black Cover (only with UL listed connectors)
GROUND POSITION ————
2=H12 **3**=H3 **6**=H6 **9**=H9
SCREW & GASKET ————
1=Profile NBR Gasket & Screw, **2**=Flat NBR Gasket & Screw
3=White Silicone Profile Gasket & Screw, **4**=White Silicone Flat Gasket & Screw

Electronic

S19 2 07 T C4 2 1

SERIE ————
S19=Internal Thread Form Micro
POLES ————
2=2Poles+Ground
THREAD ————
07=PG7 **M2**=M12x1,5
COVER COLOR ————
N=Black Cover **G**=Gray Cover **T**=Transparent
CIRCUIT ————
see page 29
VOLTAGE & LED COLOR ————
see page 29
SCREW & GASKET ————
1=Profile NBR Gasket & Screw, **2**=Flat NBR Gasket & Screw
3=White Silicone Profile Gasket & Screw, **4**=White Silicone Flat Gasket & Screw

Note: UL listed part number identified by adding suffix SA at the end of the nomenclature in conjunction with UL material (W for black and T for transparent) e.g. C28200W2RSNSA

Build your connector using the intelligent part number system and contact your local sales representative to identify the proper EDP number to use in your purchase orders

Packaging Type		Poles	Circuit	Voltage	LED Color	Engineering No.	Standard Order No.
Bulk Pack	Mounted	2+Ground	NO	250V AC/300V DC	NO	C19207N21	121023-0433
		3+Ground	NO	250V AC/300V DC	NO	C19307N21	121023-0464
		2+Ground	C4	24V AC/DC	yellow	S19207TC4H1	121064-0871
			C4	230V AC/DC	yellow	S19207TC4M1	121064-1342

Our circuit range provides LED indication or suppressor circuitry for surge protection.

Many other circuit configurations are available upon request; contact your local sales representative to identify the proper EDP number to use in your purchase orders.

Circuit Options

SUPPLY VOLTAGE AND LED COLOR		
1 = 12V	A = 12V	G = 12V
2 = 24V	B = 24V	H = 24V
3 = 48V	C = 48V	K = 48V
4 = 115V	D = 115V	L = 115V
5 = 230V	E = 230V	M = 230V
Red LED		Green LED
		Yellow LED

Input	Circuit Schematic	Load	Circuit Description	Available on Product Type
V AC/DC			CIRCUIT A1 With bipolar LED, provides a luminous signal when power is applied	Connectors Serie S, Serie E (only with Electronic) and Serie A
V DC			CIRCUIT C3 With LED and diode to protect against peak of overvoltage when switching off	Connectors Serie S, Serie E (only with Electronic) and Serie A
V AC/DC			CIRCUIT C4 With bipolar LED and VDR to protect supply and switch against peak of overvoltage.	Connectors Serie S, Serie E (only with Electronic) and Serie A
V AC/DC			CIRCUIT D0 With VDR to protect supply and switch from peak of overvoltage	Connectors Serie S, Serie E (only with Electronic)
V DC			CIRCUIT E0 With diode to protect against peak of overvoltage when switching off	Connectors Serie S, Serie E (only with Electronic)
V AC/DC			CIRCUIT S0 With transient suppressor (transil) to provide blocking of input and output overvoltage. a bipolar LED provide a visual information when power is applied.	Connectors Serie S, Serie E (only with Electronic) and Serie A
V AC/DC			CIRCUIT S1 With transient suppressor (transil) to provide blocking of input and output overvoltage.	Connectors Serie S, Serie E (only with Electronic)